

CARBON STEEL OR STAINLESS STEEL 1-PC BALL VALVE NUT CAP DESIGN

DESIGN DESCRIPTION:

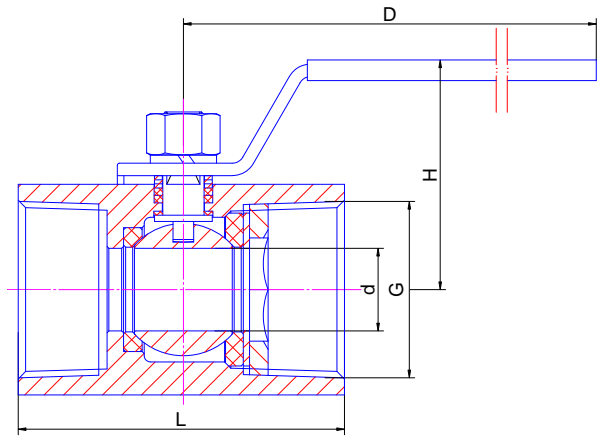
- Design: Factory STD;
- Manufacture: Factory STD;
- Threaded: NPT, BSP/BSPT, DIN STD;
- Test: API598, DIN3230;
- 1-PC Stainless Steel Ball Valve
- Steel Bar Body
- Blow-Out Proof Stem/ Reduced Port
- Soft seal; 1000WOG;
- Option: Handle Or Locking Handle
- Material and Working Temp.:
 - ◆ PTFE&R-PTFE: 0°C-180°C(32°F-356°F)
 - ◆ PPL: 300°C(572°F) Maximum



PARTS AND MATERIAL:

PARTS NAME	MATERIALS
Body	ASTM A105/F304/F316
Ball Seat	PTFE
Solid Ball	ASTM A105/F304/F316
Body Seal	PTFE
Washer	CARBON STEEL/SS304/SS316/SS304L/SS316L
INSERT	ASTM A276 TYPE 304/316/304L/316L
Stem	ASTM A276 TYPE 304/316/304L/316L
Thrust WASHER	PTFE
Stem Packing	PTFE
Stem Washer	CARBON STEEL/SS304/SS316/SS304L/SS316L
Grip	Vinyl
Handle Nut	CARBON STEEL/SS304/SS316/SS304L/SS316L
Handle	CARBON STEEL/SS304/SS316/SS304L/SS316L

OTHER MATERIALS ARE AVAILABLE UPON REQUEST.



DIMENSIONS LIST(UNIT:MM):

Size	d	G	L	D	H
1/4"	5	1/4"	48	65	32
3/8"	8	3/8"	55	85	42
1/2"	9.5	1/2"	60	95	45
3/4"	12.5	3/4"	65	110	48
1"	16	1"	73	110	53
1-1/4"	20	1-1/4"	88.5	140	64
1-1/2"	25	1-1/2"	95	140	75
2"	32	2"	108	155	79
2-1/2"	40	2-1/2"	132	180	90
3"	50	3"	150	220	100
4"	64	4"	188	220	115

Remark: Our design can be suitable for all standard (BS, DIN, ANSI, JIS standard etc.)

✧ We hereby reserve the rights of any alternative dimension that would help to improve our valve's quality and working efficiency.