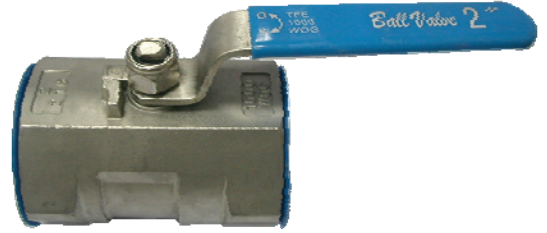


CARBON STEEL OR STAINLESS STEEL 1-PC BALL VALVE NUT CAP DESIGN

DESIGN DESCRIPTION:

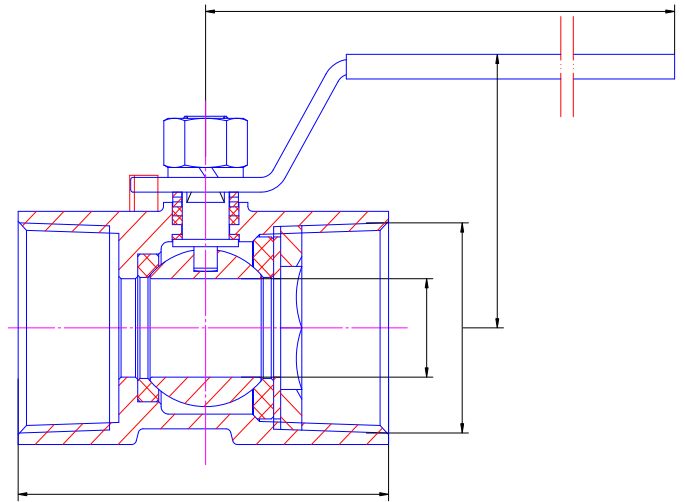
- Design: Factory STD;
- Manufacture: Factory STD;
- Threaded: NPT, BSP/BSPT, DIN STD;
- Test: API598, DIN3230;
- 1-PC Stainless Steel Ball Valve
- Investment Casting Body
- Blow-Out Proof Stem/ Reduced Port
- Soft seal;1000WOG;
- Option: Handle Or Locking Handle
- Material and Working Temp.:
 - ◆ PTFE&R-PTFE: 0 °C-180 °C(32 °F-356 °F)
 - ◆ PPL: 300 °C(572 °F) Maximum



PARTS AND MATERIAL:

PARTS NAME	MATERIALS
Body	ASTM A351 CF8/CF8M/CF3/CF3M
Ball Seat	PTFE
Solid Ball	ASTM A351 CF8/CF8M/CF3/CF3M
Body Seal	PTFE
Washer	SS304/SS316/SS304L/SS316L
INSERT	ASTM A276 TYPE 304/316/304L/316L
Stem	ASTM A276 TYPE 304/316/304L/316L
Thrust WASHER	PTFE
Stem Packing	PTFE
Stem Washer	SS304/SS316/SS304L/SS316L
Grip	Vinyl
Handle Nut	SS304/SS316/SS304L/SS316L
Handle	SS304/SS316/SS304L/SS316L

OTHER MATERIALS ARE AVAILABLE UPON REQUEST.



DIMENSIONS LIST(UNIT:MM):

Size	d	L	D	H
1/4"	5	40	65	28
3/8"	8	45	65	30
1/2"	9.5	56	85	34
3/4"	12.5	60	95	40
1"	16	71	110	52
1-1/4"	20	78	140	62
1-1/2"	25	96	140	68
2"	32	101	155	75
2-1/2"	40	120	180	82

Remark: Our design can be suitable for all standard (BS, DIN, ANSI, JIS standard etc.)

✧ We hereby reserve the rights of any alternative dimension that would help to improve our valve's quality and working efficiency.