

**CARBON STEEL OR STAINLESS STEEL  
2-PC BALL VALVE THREADED CAP DESIGN**

**DESIGN DESCRIPTION:**

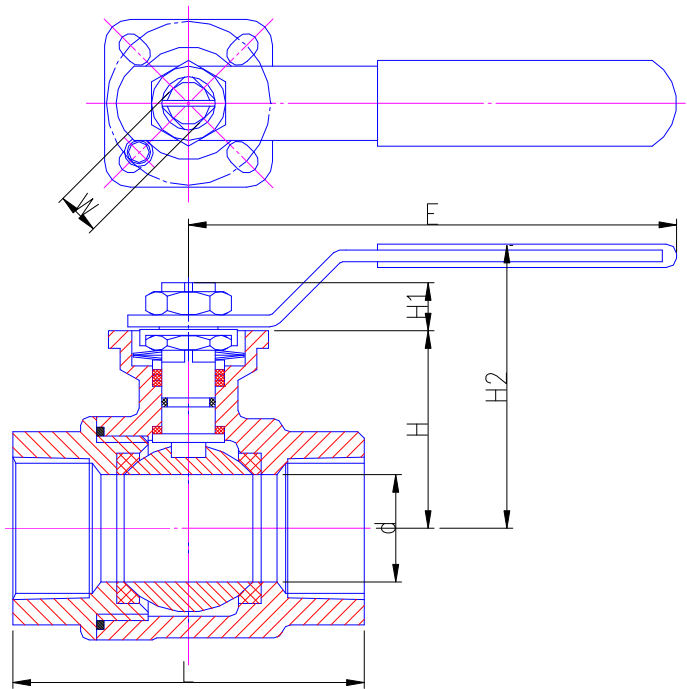
- Design: Factory STD;
- Manufacture: Factory STD;
- Pressure-Temperature Ratings: ANSI B16.34
- Threaded: NPT, BSP/BSPT, DIN STD;
- Test: API598, DIN3230;
- 2-PC Stainless Steel Ball Valve
- Investment Casting Body
- Blow-Out Proof Stem/ Full Port/STD Port/Reduce Port
- Soft seal; 1000WOG;
- ISO 5211 Direct Mount Pad
- Option: Handle Or Locking Handle
- Material and Working Temp.:
  - ◆ PTFE&R-PTFE: 0°C-180°C(32°F-356°F)
  - ◆ PPL: 300°C(572°F) Maximum



**PARTS AND MATERIAL:**

PARTS NAME	MATERIALS
Body	ASTM A216-WCB, A351-CF8/CF8M
End Cap	ASTM A216-WCB, A351-CF8/CF8M
Solid Ball	ASTM A351-CF8/CF8M
Seat	PTFE
Stem	SS316/SS304
Stem Seal	PTFE
Gasket	PTFE
Thrust Washer	PTFE
Stem Packing	PTFE
Gland	SS316/SS304
Belleville Washer	SS301
Gland Nut	SS 304
Handle Nut	SS 304
Handle	CARBON STEEL/SS 304
Handle Platic	PLATIC

OTHER MATERIALS ARE AVAILABLE UPON REQUEST.



**DIMENSIONS LIST(UNIT:MM):**

DN	Size	d	L	H	H1	H2	W	E	ISO5211	Torque
6	1/4"	11.5	65	38.6	6.6	73.6	9	139	F03/F04	5N.m
10	3/8"	12.5	65	38.6	6.6	73.6	9	139	F03/F04	5 N.m
15	1/2"	15	65	38.6	6.6	73.6	9	139	F03/F04	6 N.m
20	3/4"	20	74.5	46.15	7.1	80.15	9	139	F03/F04	12 N.m
25	1"	25	88.5	56.6	10.9	95.4	11	165	F04/F05	14 N.m
32	1-1/4"	32	102	61	10.9	99.8	11	165	F04/F05	24 N.m
40	1-1/2"	38	110	77.5	13.9	126.3	14	215	F05/F07	28 N.m
50	2"	49	125	85.2	13.9	134	14	215	F05/F07	48 N.m
65	2-1/2"	65	160.6	108.7	16.8	166.7	17	263	F07/F10	74 N.m
80	3"	80	178	117.4	18.1	175.4	17	263	F07/F10	109 N.m

Remark: Our design can be suitable for all standard (BS, DIN, ANSI, JIS standard etc.)

✧ We hereby reserve the rights of any alternative dimension that would help to improve our valve's quality and working efficiency.