

CARBON STEEL OR STAINLESS STEEL 2-PC BALL VALVE THREADED CAP DESIGN

DESIGN DESCRIPTION:

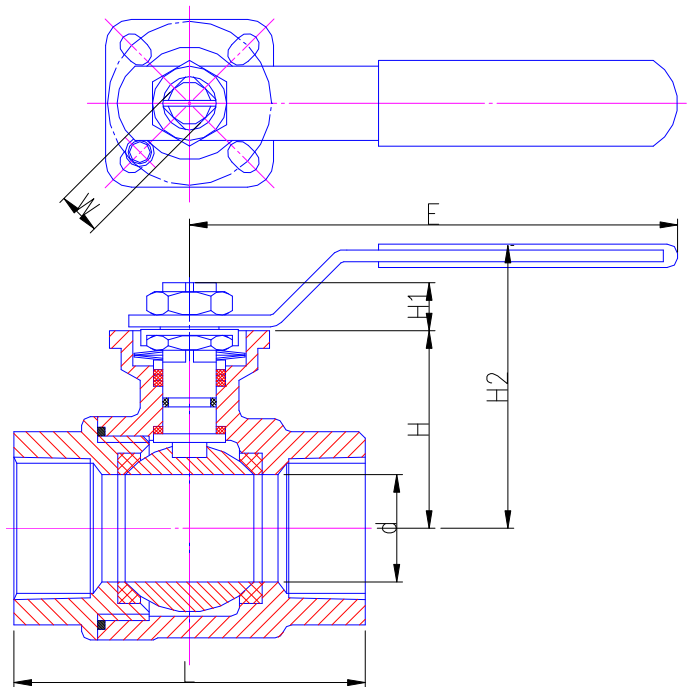
- Design: Factory STD;
- Manufacture: Factory STD;
- Pressure-Temperature Ratings: ANSI B16.34
- Threaded: NPT, BSP/BSPT, DIN STD;
- Test: API598, DIN3230;
- 2-PC Stainless Steel Ball Valve
- Investment Casting Body
- Blow-Out Proof Stem/ Full Port/STD Port/Reduce Port
- Soft seal; 1000WOG;
- ISO 5211 Mount Pad
- Option: Handle Or Locking Handle
- Material and Working Temp.:
 - ◆ PTFE&R-PTFE: 0°C-180°C(32°F-356°F)
 - ◆ PPL: 300°C(572°F) Maximum



PARTS AND MATERIAL:

PARTS NAME	MATERIALS
Body	ASTM A216-WCB, A351-CF8/CF8M
End Cap	ASTM A216-WCB, A351-CF8/CF8M
Solid Ball	ASTM A351-CF8/CF8M
Seat	PTFE
Stem	SS316/SS304
Stem Seal	PTFE
Gasket	PTFE
Thrust Washer	PTFE
Stem Packing	PTFE
Gland	SS316/SS304
Belleville Washer	SS301
Gland Nut	SS 304
Handle Nut	SS 304
Handle	CARBON STEEL/SS 304
Handle Platic	PLATIC

OTHER MATERIALS ARE AVAILABLE UPON REQUEST.



DIMENSIONS LIST(UNIT:MM):

DN	Size	d	L	H	H1	H2	W	E	ISO5211
6	1/4"	11	55	40	7	72	9	139	F03/F04
10	3/8"	13	55	40	7	72	9	139	F03/F04
15	1/2"	15	70	40	7	72	9	139	F03/F04
20	3/4"	20	80	40	9	75	9	139	F03/F04
25	1"	25	90	52	9.5	77	9	165	F04/F05
32	1-1/4"	32	102	58	11.5	95	11	165	F04/F05
40	1-1/2"	40	110	68	11.5	101	11	215	F05/F07
50	2"	50	130	77	15	125	11	215	F05/F07

Remark: Our design can be suitable for all standard (BS, DIN, ANSI, JIS standard etc.)

✧ We hereby reserve the rights of any alternative dimension that would help to improve our valve's quality and working efficiency.