

**CARBON STEEL OR STAINLESS STEEL
3-PC BALL VALVE BOLTED CAP DESIGN**

DESIGN DESCRIPTION:

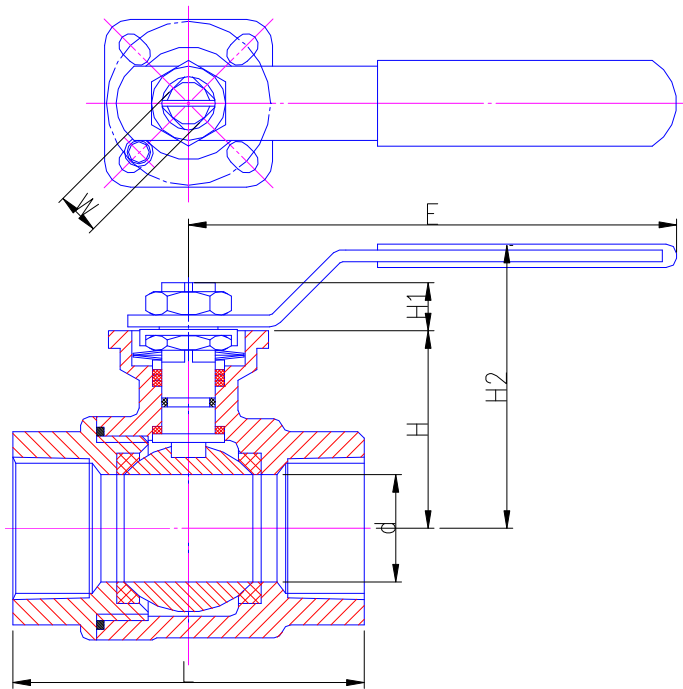
- Design: Factory STD;
- Manufacture: Factory STD;
- Pressure-Temperature Ratings: ANSI B16.34
- Threaded: NPT, BSP/BSPT, DIN STD;
- Test: API598, DIN3230;
- 3-PC Stainless Steel Ball Valve
- Investment Casting Body
- Blow-Out Proof Stem/ Full Port/STD Port/Reduce Port
- Soft seal; 1000WOG;
- ISO 5211 Mount Pad
- Option: Handle Or Locking Handle
- Material and Working Temp.:
 - ◆ PTFE&R-PTFE: 0°C-180°C(32°F-356°F)
 - ◆ PPL: 300°C(572°F) Maximum



PARTS AND MATERIAL:

PARTS NAME	MATERIALS
Body	ASTM A216-WCB, A351-CF8/CF8M
End Cap	ASTM A216-WCB, A351-CF8/CF8M
Solid Ball	ASTM A351-CF8/CF8M
Seat	PTFE
Stem	SS316/SS304
Stem Seal	PTFE
Gasket	PTFE
Thrust Washer	PTFE
Stem Packing	PTFE
Gland	SS316/SS304
Belleville Washer	SS301
Gland Nut	SS 304
Handle Nut	SS 304
Handle	CARBON STEEL/SS 304
Handle Platic	PLATIC

OTHER MATERIALS ARE AVAILABLE UPON REQUEST.



DIMENSIONS LIST(UNIT:MM):

DN	Size	d	L	E	H	ISO5211	W
6	1/4"	12.5	65	110	68.5	F03	9
10	3/8"	12.5	65	110	68.5	F03	9
15	1/2"	15	75	140	72	F03	9
20	3/4"	20	80	140	78	F03	9
25	1"	25	85	170	90	F04	11
32	1-1/4"	32	105	170	95	F04	11
40	1-1/2"	38	113	180	107	F05	14
50	2"	50	133	180	122	F05	14
65	2-1/2"	64	170	220	155	F07	17
80	3"	76	186	260	164	F07	17

Remark: Our design can be suitable for all standard (BS, DIN, ANSI, JIS standard etc.)

✧ We hereby reserve the rights of any alternative dimension that would help to improve our valve's quality and working efficiency.