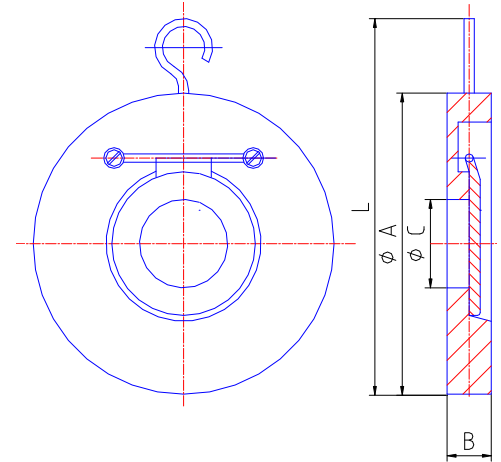


**CARBON STEEL OR STAINLESS STEEL
SWING CHECK VALVE THIN DESIGN**

DESIGN DESCRIPTION:

- Manufacture: Factory STD;
- Design: Factory STD;
- Flange: ANSI B16.5, DIN 2543/2544/2545;
- Test: API598, DIN3230;
- Swing Type; Integral Sea, Thin Stricture;;
- Available Spring Or No Spring For Resistant Leak;
- Material and Working Temp.:
 - ◆ ASTM A216-WCB: -29 °C-420 °C(60 °F-822 °F)
 - ◆ STAINLESS STEEL: -40 °C-550 °C(15 °F-1047 °F)



PARTS AND MATERIAL:

PARTS NAME	MATERIALS
BODY	ASTM A216-WCB/A351-CF8/CF8M
DISC	ASTM A216-WCB/A351-CF8/CF8M
LIFT BOLT	SS304
SMALL COVER	SS304
SPRING SHAFT	SS304/SS316
SCREW	SS304
SPRING	SS304/SS316

OTHER MATERIALS ARE AVAILABLE UPON REQUEST.

DIMENSIONS LIST(UNIT:MM):

DN (mm)	B		C	A			
	PN10/16	PN25/40		PN10	PN16	PN25	PN40
50	19	19	25	109	109	109	109
65	19	19	38	129	29	129	129
80	19	19	46	144	144	144	144
100	19	19	71.5	164	164	170	170
125	19	19	95	194	194	196	196
150	19	29	114	220	220	226	226
200	29	29	140	275	275	286	293
250	29	38	188	330	331	343	355
300	38	51	216	380	386	403	420
350	44	51	263	440	446	460	477
400	51	51	305	491	495	517	549
450	60	76	356	541	558	567	574
500	64	83	406	596	620	622	626
600	70	90	482	698	732	734	745
700	80	90	562	813	804	831	-
800	90	100	464	918	912	942	-
900	90	100	738	1018	1012	1040	-
1000	100	120	846	1124	1126	1155	-

✧ We hereby reserve the rights of any alternative dimension that would help to improve our valve's quality and working efficiency.