

CARBON STEEL OR STAINLESS STEEL SWING CHECK VALVE THIN DESIGN

DESIGN DESCRIPTION:

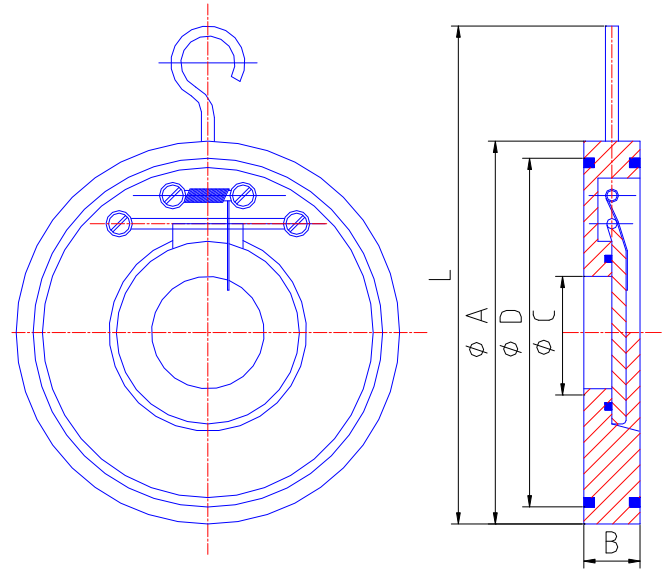
- Manufacture: Factory STD;
- Design: Factory STD;
- Flange: ANSI B16.5, DIN 2543/2544/2545;
- Test: API598, DIN3230;
- Swing Type; Integral Seat;
- Available Spring Or No Spring For Resistant Leak;
- Material and Working Temp.:
 - ◆ Cast Iron and Ductile Iron: 0 °C-200 °C(32 °F-392 °F)
 - ◆ Buna-N: -12 °C-82 °C(10.5°F-179°F)
 - ◆ EPDM: -45 °C-135 °C(-49°F-275°F)
 - ◆ CSM/Hypalon: -18 °C-135 °C(0°F-275°F)
 - ◆ FPM/Viton: -12 °C-150 °C(10.5°F-302°F)



PARTS AND MATERIAL:

PARTS NAME	MATERIALS
BODY	ASTM A216-WCB/A351-CF8/CF8M
O-RING	NBR/EPDM/VITON
DISC	ASTM A216-WCB/A351-CF8/CF8M
O-RING	NBR/EPDM/VITON
LIFT BOLT	SS304
SMALL COVER	SS304
SPRING SHAFT	SS304/SS316
SCREW	SS304
LARGE COVER	SS304
SCREW	SS304
SPRING	SS304/SS316

OTHER MATERIALS ARE AVAILABLE UPON REQUEST.



DIMENSIONS LIST(UNIT:MM):

SIZE	DN40	DN50	DN65	DN80	DN100	DN125	DN150	DN200	DN250	DN300
A	94	109	129	144	164	195	220	275	331	380
B	16	16	17	17	18	18	20	22	26	32
C	22	32	40	55	70	92	112	154	192	227
D	81.4	94	111	123	147	171	200	256	302	352
L	195	206	230	245	265	297	321	376	436	484

✧ We hereby reserve the rights of any alternative dimension that would help to improve our valve's quality and working efficiency.