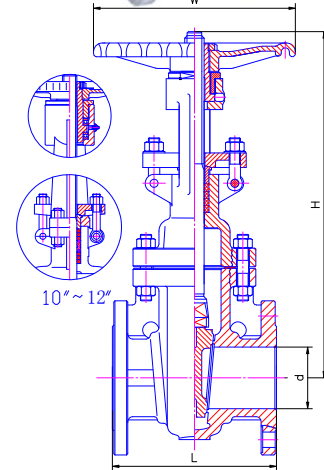


CARBON STEEL OR STAINLESS STEEL API603 CLASS150 GATE VALVE BOLTED CAP DESIGN

DESIGN DESCRIPTION:

- Manufacture: ANSI B16.34
- Design: API603;
- Face To Face: B16.10;
- Flange: ANSI B16.5;
- Test: API598;
- Bolted Bonnet; Flexible Wedge; Fully Guider;
- Integral Seat; Outside Screw And Yoke; Rising Stem;
- Material and Working Temp.:
 - ◆ STAINLESS STEEL: -40 °C-550 °C(15 °F-1047 °F)



PARTS AND MATERIAL:

PARTS NAME	MATERIALS
BODY	ASTM A351-CF8/CF8M/CF3/CF3M
BONNET	ASTM A351-CF8/CF8M/CF3/CF3M
GASKET	PTFE/R-PTFE
DISC	ASTM A351-CF8/CF8M/CF3/CF3M
SEAT	STL/SS304/SS316/SS304L/SS316L
STEM	ASTM A182-F304/F316/F304L/F316L
BOLT & NUT	A1938+B8/A193 8M+A193 B8M

OTHER MATERIALS ARE AVAILABLE UPON REQUEST.

DIMENSIONS LIST(UNIT:MM):

DN	NPS	L	d	W	H (OPEN)
15	1/2"	108	14	120	195
20	3/4"	117	19	120	210
25	1"	127	25	140	240
32	1-1/4"	140	32	180	300
40	1-1/2"	165	38	200	395
50	2"	178	51	200	400
65	2-1/2"	191	64	200	435
80	3"	203	76	250	515
100	4"	229	102	280	595
125	5"	254	127	280	725
150	6"	267	152	300	780
200	8"	292	203	350	975
250	10"	330	254	400	1150
300	12"	356	305	450	1380
350	14"	381	337	500	1545
400	16"	406	387	500	1733
450	18"	432	438	500	1915
500	20"	457	489	600	2122
600	24"	508	521	600	2520

✧ We hereby reserve the rights of any alternative dimension that would help to improve our valve's quality and working efficiency.