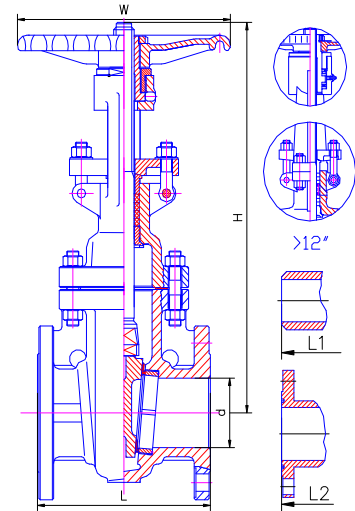


**CARBON STEEL OR STAINLESS STEEL
CLASS150 GATE VALVE BOLTED CAP DESIGN**

DESIGN DESCRIPTION:

- Manufacture: ANSI B16.34 Or BS1414
- Design: API6D Or BS1873 Or API600;
- Face To Face: ASME/ANSI B16.10 Or BS 2080;
- End To End: ASME/ANSI B16.10 Or BS 2080;
- Gasket Flanged: ASME/ANSI B16.5 Or BS 1560
- Flange: ASME/ANSI B16.5 Or BS 1414;
- End: ASME/ANSI B16.25;
- Test: API598 Or BS 6755 Part 1;
- Outside Screw And Yoke, Flexible Wedge;
- Bolted Bonnet; Integral Seat; Fully Guider;
- Material and Working Temp.:
 - ◆ ASTM A216-WCB: -29 °C-420 °C(60 °F-822 °F)
 - ◆ STAINLESS STEEL: -40 °C-550 °C(15 °F-1047 °F)



PARTS AND MATERIAL:

| PARTS NAME | MATERIALS |
|------------|--|
| BODY | ASTM A216-WCB/A351-CF8/CF8M/CF3/CF3M |
| BONNET | ASTM A216-WCB/A351-CF8/CF8M/CF3/CF3M |
| GASKET | PTFE/R-PTFE/GRAPHITE |
| DISC | ASTM A105+13CR/A351-CF8/CF8M/CF3/CF3M |
| SEAT | STL/SS304/SS316/SS304L/SS316L |
| STEM | ASTM A182-F6a/F304/F316/F304L/F316L |
| BOLT & NUT | A194 2H+A193 B7/ A1938+B8/A193 8M+A193 B8M |

OTHER MATERIALS ARE AVAILABLE UPON REQUEST.

DIMENSIONS LIST(UNIT:MM):

| NPS | DN | d | L | L1 | L2 | H | W |
|--------|------|-----|-----|------|-----|-----------|---------|
| 1/2" | 15 | 14 | 108 | 108 | 119 | 118 | 120 |
| 3/4" | 20 | 19 | 117 | 117 | 130 | 190 | 120 |
| 1" | 25 | 25 | 127 | 127 | 140 | 256 | 140 |
| 1-1/4" | 32 | 31 | 140 | 140 | 153 | 268 | 180 |
| 1-1/2" | 40 | 38 | 165 | 165 | 178 | 326 | 200 |
| 2" | 50 | 50 | 178 | 216 | 191 | 340 | 200 |
| 2-1/2" | 65 | 63 | 191 | 241 | 203 | 365 | 200 |
| 3" | 80 | 76 | 203 | 283 | 216 | 410 | 250 |
| 4" | 100 | 100 | 229 | 305 | 241 | 485 | 280 |
| 5" | 125 | 127 | 254 | 381 | 267 | 520 | 280 |
| 6" | 150 | 150 | 267 | 403 | 279 | 595 | 300 |
| 8" | 200 | 200 | 292 | 419 | 305 | 755/1015 | 360/310 |
| 10" | 250 | 250 | 330 | 457 | 343 | 895/1210 | 400/310 |
| 12" | 300 | 300 | 356 | 502 | 368 | 1040/1405 | 450/460 |
| 14" | 350 | 336 | 381 | 572 | 394 | 1145/1535 | 500/460 |
| 16" | 400 | 387 | 406 | 610 | 419 | 1333/1780 | 500/460 |
| 18" | 450 | 438 | 432 | 660 | 445 | 1420/1900 | 600/460 |
| 20" | 500 | 488 | 457 | 711 | 470 | 1635/2220 | 700/530 |
| 24" | 600 | 590 | 508 | 813 | 521 | 1862/2557 | 800/530 |
| 26" | 650 | 633 | 559 | 864 | - | 2680 | 530 |
| 28" | 700 | 684 | 610 | 914 | - | 2890 | 530 |
| 30" | 750 | 735 | 610 | 914 | - | 3110 | 610 |
| 32" | 800 | 779 | 660 | 965 | - | 3280 | 610 |
| 34" | 850 | 830 | 711 | 1016 | - | 3500 | 610 |
| 36" | 900 | 874 | 711 | 1016 | - | 3640 | 610 |
| 40" | 1000 | - | 762 | 1067 | - | 4200 | 610 |
| 42" | 1050 | - | 787 | 1092 | - | 4820 | 610 |
| 48" | 1200 | - | 864 | 1168 | - | 5920 | 610 |

NOTE:

CL150: ≤6" Handwheel O.P.; 8"~24" Available Gear O.P.; ≥26" Gear O.P. Please Inquiry Us For Bigger Size(>48").

✧ We hereby reserve the rights of any alternative dimension that would help to improve our valve's quality and working efficiency.