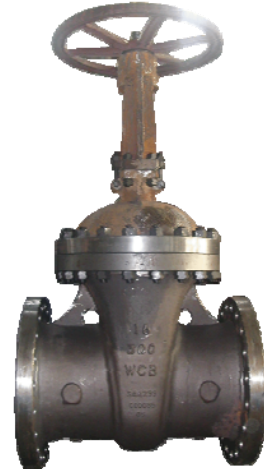


**CARBON STEEL OR STAINLESS STEEL  
JIS 20K GATE VALVE BOLTED CAP DESIGN**

**DESIGN DESCRIPTION:**

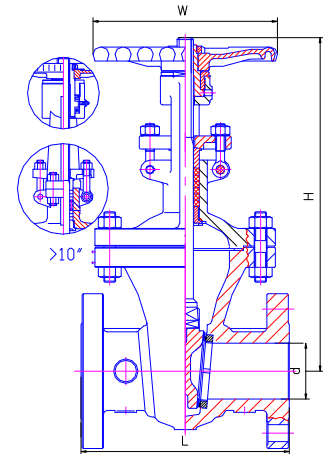
- Manufacture: JIS B2001/B2201
- Design: JIS B2083;
- Face To Face: JIS B2002;
- Gasket Flanged: JIS B2002;
- Flange: JIN B22 14
- Test: JIS N2003;
- Outside Screw And Yoke, Flexible Wedge;
- Bolted Bonnet; Integral Seat; Fully Guider;
- Material and Working Temp.:
  - ◆ ASTM A216-WCB: -29 °C-420 °C(60 °F-822 °F)
  - ◆ STAINLESS STEEL: -40 °C-550 °C(15 °F-1047 °F)



**PARTS AND MATERIAL:**

PARTS NAME	MATERIALS
BODY	ASTM A216-WCB/A351-CF8/CF8M/CF3/CF3M
BONNET	ASTM A216-WCB/A351-CF8/CF8M/CF3/CF3M
GASKET	PTFE/R-PTFE/GRAPHITE
DISC	ASTM A105+13CR/A351-CF8/CF8M/CF3/CF3M
SEAT	STL/SS304/SS316/SS304L/SS316L
STEM	ASTM A182-F6a/F304/F316/F304L/F316L
BOLT & NUT	A194 2H+A193 B7/ A1938+B8/A193 8M+A193 B8M

OTHER MATERIALS ARE AVAILABLE UPON REQUEST.



**DIMENSIONS LIST(UNIT:MM):**

NPS	DN	d	L	L1	L2	H	W
1/2"	15	14	140	140	151	198	120
3/4"	20	19	152	152	165	215	140
1"	25	25	165	165	178	220	160
1-1/4"	32	31	178	178	191	306	180
1-1/2"	40	38	190	190	203	342	200
2"	50	50	216	216	232	364	200
2-1/2"	65	63	241	241	257	385	200
3"	80	76	283	283	298	460	250
4"	100	100	305	305	321	540	280
5"	125	127	381	381	397	548	300
6"	150	150	403	403	419	649	350
8"	200	200	419	419	435	798/1030	400/310
10"	250	250	457	457	473	940/1255	450/460
12"	300	300	502	502	518	1129/1460	500/460
14"	350	336	762	762	778	1195/1585	600/460
16"	400	387	838	838	854	1340/1830	600/460
18"	450	431	914	914	930	1503/2000	650/460
20"	500	482	991	991	1010	1625/2175	750/530
24"	600	584	1143	1143	1165	1965/2620	900/530
26"	650	633	1245	1245	1270	2850	610
28"	700	684	1346	1346	1372	3080	610
30"	750	735	1397	1397	1422	3180	610
32"	800	779	1524	1524	1553	3300	810
34"	850	830	1626	1626	1654	3550	810
36"	900	874	1727	1727	-	3760	1000
40"	1000	-	1930	1930	-	4340	1000
42"	1050	-	1981	1981	-	4739	1000
48"	1200	-	2235	2235	-	5373	1000

**NOTE:**

**CL300:** ≤6" Handwheel O.P.; 8"~24" Available Gear O.P.; ≥26" Gear O.P.. Please Inquiry Us For Bigger Size(>48").

✧ We hereby reserve the rights of any alternative dimension that would help to improve our valve's quality and working efficiency.