

CAST STEEL OR STAINLESS STEEL KNIFE GATE VALVE BOLTED GLAND



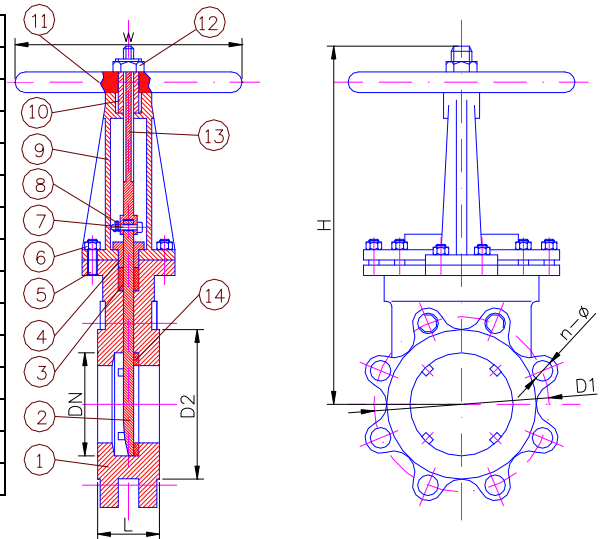
DESIGN DESCRIPTION:

- Design: MSS SP-81;
- Manufacture: Factory STD;
- Face To Face: MSS SP-81
- Flange: ANSI B16.5;
- Bolt Gland;
- Soft Seal;
- Material and Working Temp.:
 - ◆ Cast Steel: -20 °C(-4°F -752°F)
 - ◆ PTFE: 180 °C(356°F) Maximum
 - ◆ Stainless Steel Seal: 180 °C(356°F) Maximum

PARTS AND MATERIAL:

NO.	PARTS NAME	MATERIAL
1	BODY	ASTM A216-WCB/A351-CF8/A351-CF8M
2	DISC	ASTM A351-CF8/A351-CF8M/A216-WCB
3	GLAND PACKING	PTFE/NBR/CARBIDE ALLOY/S.S.
4	GLAND	ASTM A216-WCB
5	BONNET BOLT	ASTM A193-B7
6	BONNET NUT	ASTM A194-2H
7	DISC BOLT	ASTM A193-B7
8	DISC HOLDER	CARBON STEEL
9	BONNET	ASTM A216-WCB/A351-CF8/A351-CF8M
10	STEM NUT	BRASS
11	HANDWHEEL	CAST IRON
12	H.W. LOCK NUT	DUCTILE IRON
13	STEM	ASTEM SS304/SS316/CARBON STEEL
14	SEAT	PTFE/S.S./CARBIDE ALLOY

OTHER MATERIALS ARE AVAILABLE UPON REQUEST.



DIMENSIONS LIST(UNIT:MM):

SIZE	DN	L	D1	D2	H	n-Φ	W
2"	50	55	120.7	92	302	4-19	240
2-1/2"	65	55	139.7	105	317	4-19	240
3"	80	55	152.4	127	340	4-19	240
4"	100	55	190.5	157	377	8-19	280
5"	125	60	215.9	186	430	8-22	280
6"	150	60	241.3	216	525	8-22	360
8"	200	70	298.5	270	670	8-22	360
10"	250	80	362	324	771	12-25	400
12"	300	80	431.8	381	895	12-25	400
14"	350	90	476.3	413	982	12-25	500
16"	400	90	539.8	470	1245	16-28	500
18"	450	130	577.9	433	1338	16-32	500
20"	500	130	635	584	1465	20-32	500
24"	600	130	749.3	692	1658	20-35	720

✧ We hereby reserve the rights of any alternative dimension that would help to improve our valve's quality and working efficiency.