

CARBON STEEL OR STAINLESS STEEL KNIFE GATE VALVE BOLTED BONNET DESIGN



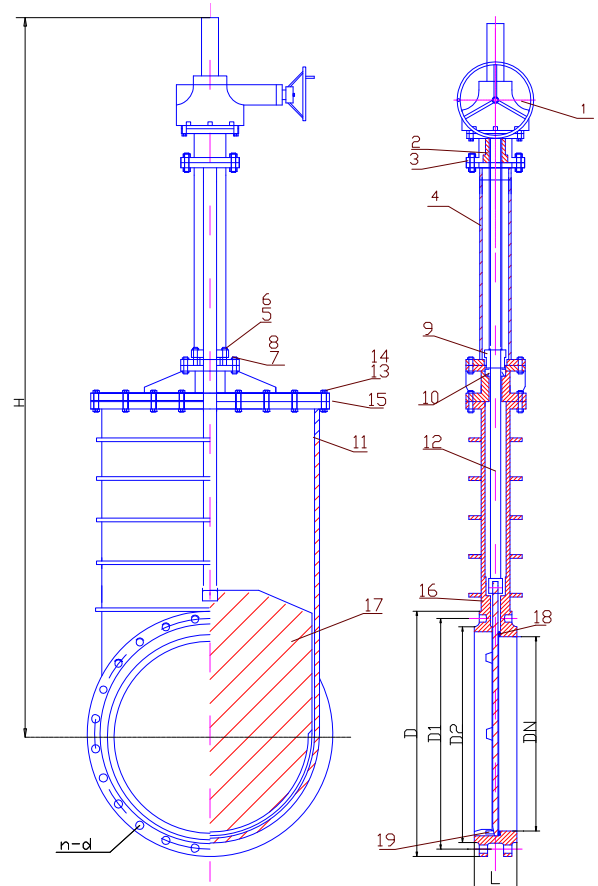
DESIGN DESCRIPTION:

- Design: MSS SP-81;
- Manufacture: Factory STD;
- Face To Face: ANSI B16.10;
- Flange: ANSI B16.47 SEARIES(API605);
- Bolt Gland, Fully Guider;
- Soft Seal;
- Handwheel Operator, Avainable With Gear Operator
- Material and Working Temp.:
 - ◆ Cast Steel: -20 °C-400 °C(-4°F -752°F)
 - ◆ PTFE: 180 °C(356°F) Maximum
 - ◆ Stainless Steel Seal: 180 °C(356°F) Maximum

PARTS AND MATERIAL:

NO.	PARTS NAME	MATERIAL
1	GEAR	DUCTILE IRON
2	STEM NUT	BRASS
3	YOKE	ST37
4	PIPE	CARBON STEEL
5	NUT	CARBON STEEL
6	BOLT	CARBON STEEL
7	NUT	CARBON STEEL
8	BOLT	CARBON STEEL
9	GLAND	WCB
10	STEM PACKING	GRAPHITE
11	BONNET	ST37
12	STEM	F6a
13	BOLT	CARBON STEEL
14	NUT	CARBON STEEL
15	GASKET	GRAPHITE
16	BODY	ST37
17	KNIFE	SS316
18	SEAT	EPDM
19	DISC STOP	WCB

OTHER MATERIALS ARE AVAILABLE UPON REQUEST.



DIMENSIONS LIST(UNIT:MM):

SIZE	DN	L	D	D1	D2	H	b	Z-Φd	W
28"	700	120	927	864	800	2300	71.5	28-35	700
32"	800	120	1060	978	914	2550	81.5	28-41	700
36"	900	140	1168	1086	1022	2750	90.5	32-41	
40"	1000	160	1289	1200	1124	3000	90.5	36-41	
48"	1200	180	1511	1422	1359		108	44-41	
56"	1400	200	1746	1651	1575		124	48-48	
64"	1600	200	1930	1820	1750				

✧ We hereby reserve the rights of any alternative dimension that would help to improve our valve's quality and working efficiency.