

**CARBON STEEL OR STAINLESS STEEL
2-PC BALL VALVE THREADED CAP DESIGN**

DESIGN DESCRIPTION:

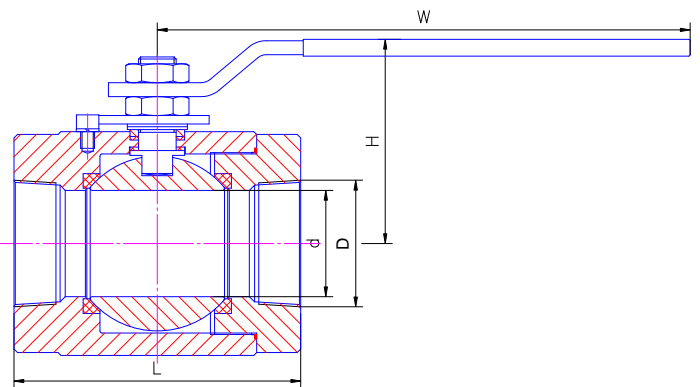
- Design: API608;
- Manufacture: API608;
- Thread: ANSI B1.20.1, BSP(T), DIN2999;
- Socket: ANSI B16.11
- Test: API598;
- 2-PC Body, Class 800;
- Floating Ball, Threaded Cover;
- Full Bore Or Standard Port, Soft seal;
- Material and Working Temp.:
 - ◆ PTFE&R-PTFE: 0 °C-200 °C(32 °F-392 °F)
 - ◆ PPL: 300 °C(572 °F) Maximum
 - ◆ PEEK: 260 °C(500 °F) Maximum



PARTS AND MATERIAL:

PARTS NAME	MATERIALS
CAP	ASTM A105/F304/F316/F304L/F316L
GASKET	GRAPHITE+304/GRAPHITE+316
BODY	ASTM A105/F304/F316/F304L/F316L
SEAT	R-PTFE/PPL/PEEK
BALL	ASTM A105+ENP/F304/F316/F304L/F316L
STEM	ASTM A182 F6/F304/F316/F304L/F316L
STEM PACKING	PTFE
STOP PLATE	CARBON STEEL
HANDLE	STEEL+PLASTIC
NUT	ASTM A194 2H/ A194 B8

OTHER MATERIALS ARE AVAILABLE UPON REQUEST.



DIMENSIONS LIST(UNIT:MM):

NPS	DN	d	D		L	H	W
			NPT	Socket			
3/8"	10	10	3/8"	10	66	56	150
1/2"	15	13	1/2"	13	73	60.5	150
3/4"	20	19	3/4"	17.5	85	75	180
1"	25	25	1"	23	106	80	180
1-1/4"	32	32	1-1/4"	30	112	98	240
1-1/2"	40	38	1-1/2"	35	128	102	240
2"	50	51	2"	46	140	119	240
3"	80	76	3"		185	146	380
4"	100	100	4"		220	168	380

Remark: Our design can be suitable for all standard (BS, DIN, ANSI, JIS standard etc.)

◇ We hereby reserve the rights of any alternative dimension that would help to improve our valve's quality and working efficiency.