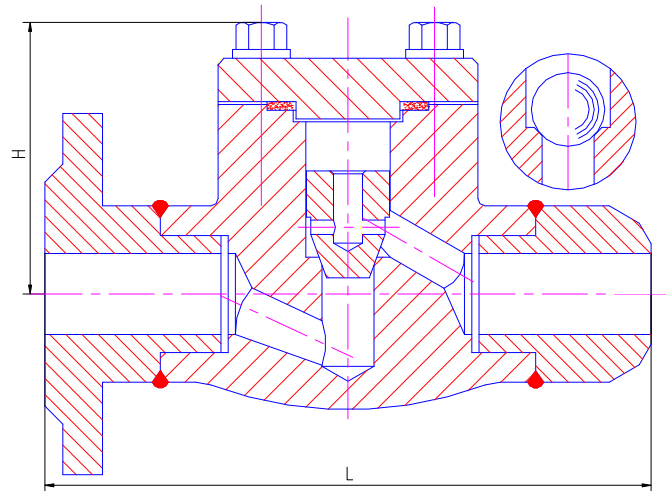


**FORGED STEEL OR STAINLESS STEEL  
LIFT CHECK VALVE BOLTED COVER DESIGN**

**DESIGN DESCRIPTION:**

- Design: BS5352, MSS SP-118;
- Manufacture: BS5352, MSS SP-118;
- Face To Face: B16.10;
- Flange: ANSI B16.5;
- Butt-Welding: ANSI B16.25;
- Test: API598;
- Bolted Cover, Class 800/1500 Body;
- Ball Or Lift Type, (Welding) Flanged Ends;
- Full Bore Or Standard Port;
- Material and Working Temp.:
  - ◆ A105: -29 °C-420 °C(-20 °F-822 °F)
  - ◆ LF2: -46 °C-345 °C(-50 °F-653 °F)
  - ◆ F304: -196 °C-649 °C(-320 °F-1200 °F)
  - ◆ F316: -196 °C-816 °C(-320 °F-1500 °F)
  - ◆ F11/F22: -29 °C-595 °C(-20 °F-1100 °F)
  - ◆ F5: -29 °C-649 °C(-20 °F-1200 °F)



**PARTS AND MATERIAL:**

PARTS NAME	MATERIALS
CAP	ASTM A105/F304/F316/F304L/F316L
GASKET	GRAPHITE+304/GRAPHITE+316
BODY	ASTM A105/F304/F316/F304L/F316L
SEAT	13CR/SS304/SS316/SS304L/SS613L
DISC/BALL	ASTM A182 F6/F304/F316/F304L/F316L
SPRING	SS304/SS316/SS304L/SS613L
BOLT	ASTM A194 2H/A194 8/A194 8M

OTHER MATERIALS ARE AVAILABLE UPON REQUEST.

**DIMENSIONS LIST(UNIT:MM):**

DN	SIZE	H		L(RF/BW)		
		STD	FULL	Class150	Class300	Class600
15	1/2"	61	61	108	153	165
20	3/4"	61	78	118	178	191
25	1"	78	84	127	203	216
32	1-1/4"	84	103	140	216	229
40	1-1/2"	84	118	165	229	241
50	2"	118	132	203	267	292
DN	SIZE	STD	FULL	Class900	Class1500	
15	1/2"	41	68	216	216	
20	3/4"	68	81	229	229	
25	1"	81	101	254	254	
32	1-1/4"	101	108	280	280	
40	1-1/2"	108	108	305	305	
50	2"	108	130	371	371	

Remark: Our design can be suitable for all standard (BS, DIN, ANSI, JIS standard etc.)

✧ We hereby reserve the rights of any alternative dimension that would help to improve our valve's quality and working efficiency.