

**FORGED STEEL OR STAINLESS STEEL
SWING CHECK VALVE BOLTED COVER DESIGN**

DESIGN DESCRIPTION:

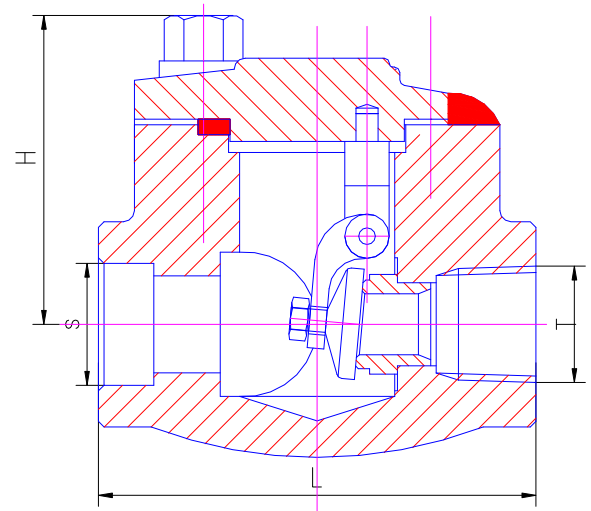
- Design: BS5352, MSS SP-118;
- Manufacture: BS5352, MSS SP-118;
- End To End: B16.10;
- Socket Welding: ANSI B16.11;
- Thread: ANSI B1.20.1;
- Test: API598;
- Bolted Cover, Class 800/1500 Body;
- Swing Type, (Welding) Flanged Ends;
- Full Bore Or Standard Port;
- Material and Working Temp.:
 - ◆ A105: -29 °C-420 °C(-20 °F-822 °F)
 - ◆ LF2: -46 °C-345 °C(-50 °F-653 °F)
 - ◆ F304: -196 °C-649 °C(-320 °F-1200 °F)
 - ◆ F316: -196 °C-816 °C(-320 °F-1500 °F)
 - ◆ F11/F22: -29 °C-595 °C(-20 °F-1100 °F)
 - ◆ F5: -29 °C-649 °C(-20 °F-1200 °F)



PARTS AND MATERIAL:

PARTS NAME	MATERIALS
CAP	ASTM A105/F304/F316/F304L/F316L
GASKET	GRAPHITE+304/GRAPHITE+316
BODY	ASTM A105/F304/F316/F304L/F316L
SEAT	SS410/F304/F316
DISC	ASTM A182 F6a/F304/F316/F304L/F316L
BOLT	ASTM A194 2H/A194 8/A194 8M
SWING	SS410/F304/F316

OTHER MATERIALS ARE AVAILABLE UPON REQUEST.



DIMENSIONS LIST(UNIT:MM):

CLASS 600/800						
DN		SIZE		D	H	L
STD	FULL	STD	FULL			
15	10	1/2"	3/8"	10	61	79
20	15	3/4"	1/2"	13	61	92
25	20	1"	3/4"	17.5	78	111
32	25	1-1/4"	1"	23	84	120
40	32	1-1/2"	1-1/4"	30	84	120
50	40	2"	1-1/2"	35	118	140
	50		2"	46	132	178
CLASS 900/1500						
DN		SIZE		D	H	L
STD	FULL	STD	FULL			
15	10	1/2"	3/8"	10	41	111
20	15	3/4"	1/2"	13	68	111
25	20	1"	3/4"	17	81	130
32	25	1-1/4"	1"	23	101	152
40	32	1-1/2"	1-1/4"	30	108	172
50	40	2"	1-1/2"	38	108	220

Remark: Our design can be suitable for all standard (BS, DIN, ANSI, JIS standard etc.)

✧ We hereby reserve the rights of any alternative dimension that would help to improve our valve's quality and working efficiency.